

Häny Mixing and Injection Technology

High Shear Mixer HCM 2500



The colloidal mixer is particularly suitable for the production of suspensions consisting of water, cement, ultra-fine binder, bentonite, and other materials. A robust mixing tank combined with highly wear-resistant materials in the mixing pump guarantee a long service life and trouble-free operation.

HÄNY

Mixing and Injection Technology

High Shear Mixer

HCM 2500

Key features

- ▶ Excellent mixing results thanks to the high turbulence generated by the high-speed mixing pump
- ▶ Mixing tank with conical bottom and pneumatic pinch valves for switching between mixing and transfer
- ▶ Automatic lubrication of the shaft seal
- ▶ Weighing cells for automatic batching of water and dry components
- ▶ Cleaning opening (manhole) for easy cleaning

Typical applications

- ▶ Preparation of suspensions consisting of water, cement, ultra-fine binder, bentonite, and other materials
- ▶ As a stand-alone system or in combination with agitator and injection pump

3D model



High shear mixer

Mixing pump:	TMP 60
Approx. capacity ¹ :	40 m ³ /h
Circulation capacity:	4,800 l/min
Usable content:	2,500 l
Liquid temperature:	Max. 40°C
Water feedthrough:	DN80/200
Dry component feedthrough:	3x DN200

¹: Water to cement ratio = 1



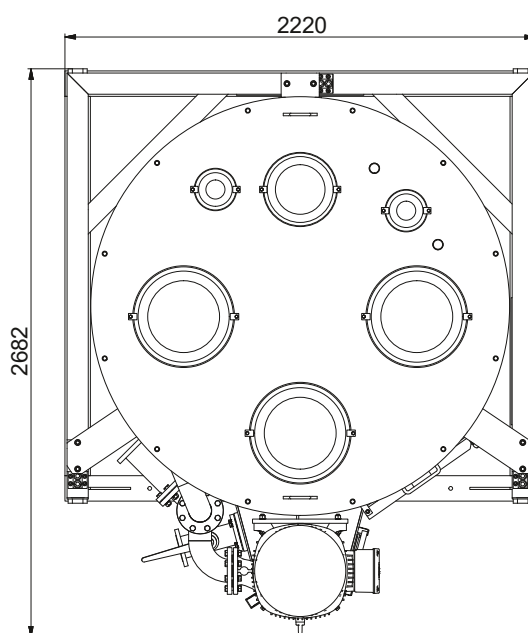
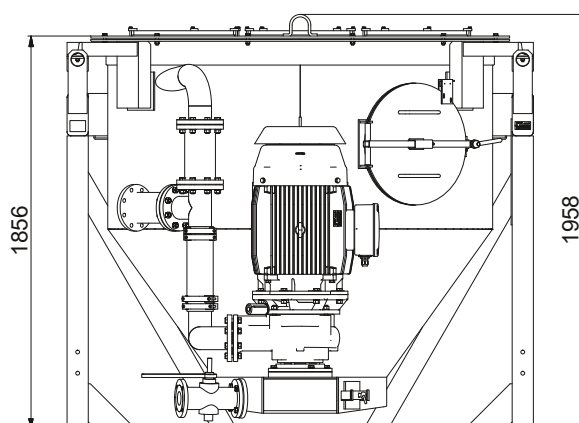
Electrical data

Voltage:	3x 400/460 V
Frequency:	50 / 60 Hz
Nominal power:	45 / 53 kW
Nominal current:	70.0 / 82.4 A
Speed:	1,475 / 1,770 min ⁻¹

Weight and dimensions

Approx. weight:	2,500 kg
Width:	2,220 mm
Height:	1,893 mm
Length:	2,585 mm

Design and dimensions



Document No. PM2-102076.00/10_18, Legal Notice © Copyright 2018, Häny AG, Jona/Switzerland. Any unauthorized use or copying of the contents or any part hereof is prohibited. Illustrations and photos may show equipment with optional extras. No warranty is made regarding specifications or otherwise. Specifications and equipment are subject to change without notice.



Häny Inc. - Mixing and Injection Technology | 3006 Commerce Square East
Irondale, AL 35210 | Phone/Fax +1 205 201 5505 | www.haeny-inc.com