

Häny Mixing and Injection Technology

# High Shear Mixer HCM 100



The colloidal mixer is particularly suitable for the production of suspensions consisting of water, cement, ultra-fine binder, bentonite, sand, and other materials. A robust mixing tank combined with highly wear-resistant materials in the mixing pump guarantee a long service life and trouble-free operation.

**HÄNY**

Mixing and Injection Technology

# High Shear Mixer

## HCM 100

### Key features

- ▶ Excellent mixing results thanks to the high turbulence generated by the high-speed mixing pump
- ▶ Mixing tank with conical bottom and recirculation line
- ▶ Automatic lubrication of the shaft seal and lubricated 3-way valve for switching between mixing or transfer
- ▶ Optional additional mixer for water/cement ratio < 0.5 and microcements

### Typical applications

- ▶ Preparation of suspensions consisting of water, cement, ultra-fine binder, bentonite, sand, and other materials
- ▶ As a stand-alone system or in combination with agitator and injection pump

### 3D model



### High shear mixer

Mixing pump:	TMP 9
Approx. capacity <sup>1</sup> :	2 m <sup>3</sup> /h
Circulation capacity:	540 l/min
Usable content:	100 l
Max. aggregate size:	5 mm
Liquid temperature:	Max. 40°C
Water connection:	BSP 3/4"

### Optional

- Water meter 3/4" for exact water dosing (manual shut-off)
- Automatic water meter 1" with adjustable counter for exact water dosing
- Auxiliary mixing unit 3x 400/460 V, 50/60 Hz (3.0/3.6 kW)

<sup>1</sup>: Water to cement ratio = 1



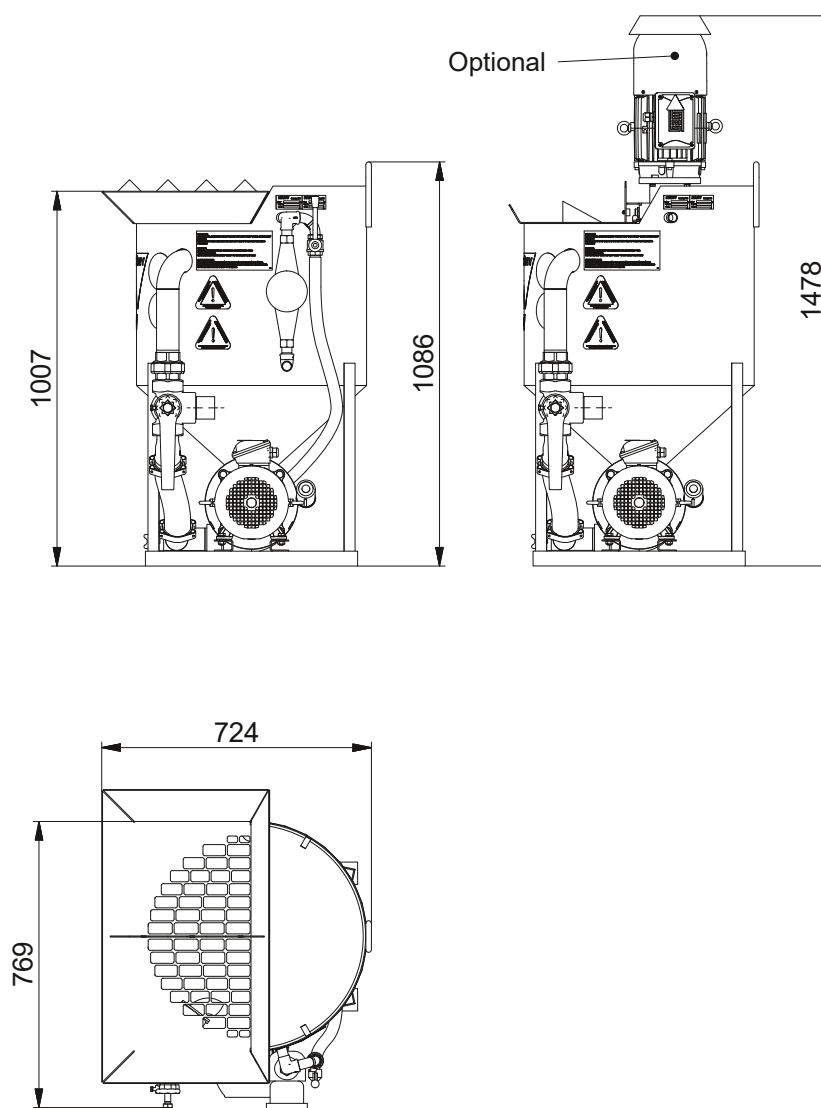
### Electrical data

Voltage:	3x 400/460 V
Frequency:	50 / 60 Hz
Nominal power:	3.0 / 3.6 kW
Nominal current:	6.15 / 6.45 A
Speed:	1,440 / 1,695 min <sup>-1</sup>

### Weight and dimensions

Approx. weight:	130 kg
Width:	675 mm
Height:	1,335 mm
Length:	814 mm

### Design and dimensions





Document No. PM2-102066 00/10; 18. Legal Notice © Copyright 2018; Häny AG, Jona/Switzerland. Any unauthorized use or copying of the contents or any part hereof is prohibited. Illustrations and photos may show equipment with optional extras. No warranty is made regarding specifications or otherwise. Specifications and equipment are subject to change without notice.



**HÄNY**  
Mixing and Injection Technology

Häny Inc. - Mixing and Injection Technology | 3006 Commerce Square East  
Irondale, AL 35210 | Phone/Fax +1 205 201 5505 | [www.haeny-inc.com](http://www.haeny-inc.com)