

Häny Mixing and Injection Technology

Grout Pump ZMP 936



High volume standalone triplex plunger pump for constant delivery with minimal pulsation. The highly efficient hydraulic system is mounted onto a space saving frame and can be used for various applications.



HÄNY

Mixing and Injection Technology

Grout Pump

ZMP 936

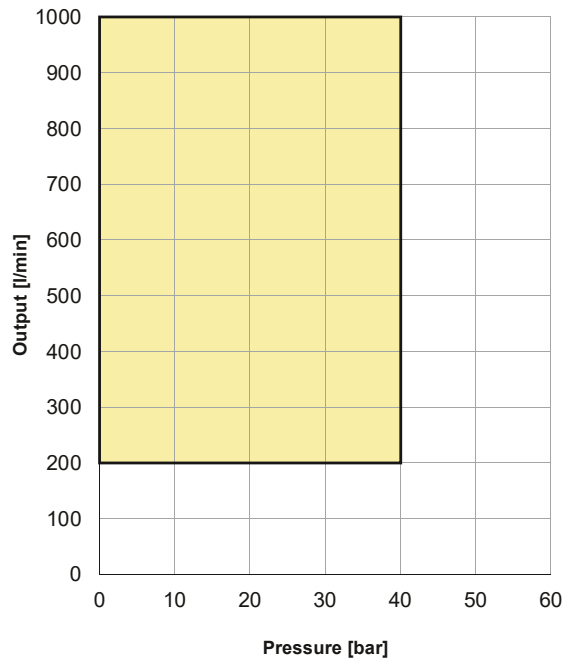
Key features

- ▶ High reliability and low-maintenance operation with good accessibility to the wear parts.
- ▶ Pulsation in the capacity < 1%
- ▶ Cooling water connection for continuous operation and elevated ambient temperature.

Typical applications

- ▶ Transfer pump for various media
- ▶ Slurry wall suspensions
- ▶ High-volume backfilling
- ▶ Soil mixing

Pumps – range of performance



Grout pump

Max. capacity ¹ :	1000 l/min	60 m ³ /h
Min. capacity ¹ :	200 l/min	12 m ³ /h
Max. pressure [*] :	40 bar	
Motor rating:	121 kW	
Plunger Ø:	210 mm	
Max. aggregate size:	8 mm	
No. of plunger pumps:	3	
Suction connection:	3x BSP 3"	
Discharge manifold	BSP 3" or	
Ø 100 mm, connection:	GF 45M-LC 4-1/2"	

Included as standard

- Suction side: Check valve
- Pressure side: hydraulically controlled valves
- Automatic pressure and flow control

Optional

- Suction side: hydraulically controlled valves

¹ Water to cement ratio = 1

* at max. output

Electrical system

Voltage:	3x 400 V
Frequency:	50 Hz
Electric motor:	1x 110 kW; 1x 11 kW
Protection:	250 A

Control system

PLC control with touch display
Phase sequence relay, emergency stop
Hydraulic ON-OFF, pump ON-OFF, output +/-
Remote maintenance

Optional

- Remote control with 50 m cable, pump ON-OFF, emergency stop
- Remote control with 50 m cable, pump ON-OFF, output +/-, emergency stop
- Data logger including pressure and flow rate
- IOT connection



Hydraulic system

Hydraulic tank:	400 l
Counterflow oil/water cooler, consumption:	27 l/min
Cooling water connection	
IN:	G $\frac{3}{4}$ ", GEKA
OUT:	G1", GEKA

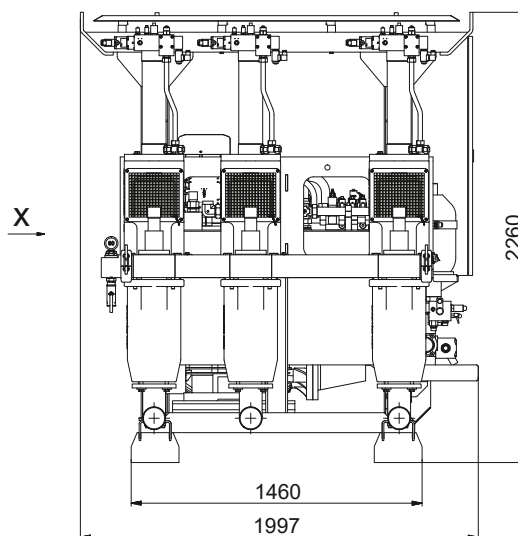
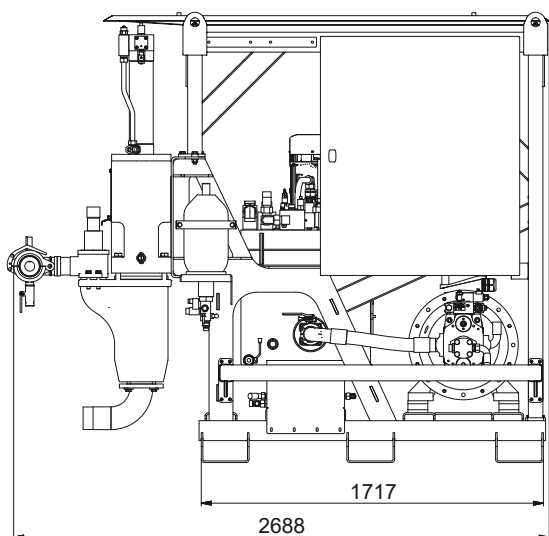
Weight and dimensions

Total weight:	4,400 kg
Width:	1,997 mm
Height:	2,260 mm
Length:	2,688 mm

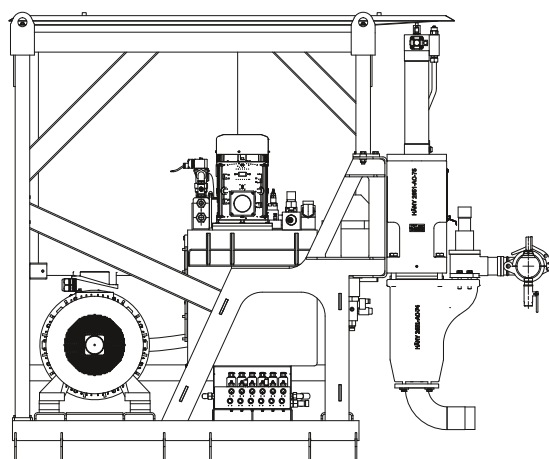
Included as standard

- Oil level and temperature sensor
- Automatic cooling water control unit

Construction and dimensions



X



Document No.: PM2-101775-01/06.19. Legal Notice © Copyright 2017, Häny AG, Jona/Switzerland. Any unauthorized use or copying of the contents or any part hereof is prohibited. Illustrations and photos may show equipment with optional extras. No warranty is made regarding specifications or otherwise. Specifications and equipment are subject to change without notice.



HÄNY
Mixing and Injection Technology

Häny Inc. - Mixing and Injection Technology | 3006 Commerce Square East
Irondale, AL 35210 | Phone/Fax +1 205 201 5505 | www.haeny-inc.com